

GLOBAL <sup>trac</sup>base

L I G H T I N G   T R A C K   S Y S T E M

---

The *1-circuit*  
system

---



**NQA**

GLOBAL <sup>IPPC</sup> base

# 1 - Circuit

2

We reserve the right to make changes.







## *GLOBAL base, the single circuit system*

The **GLOBAL base** system of the **GLOBAL trac** family is a complete track system for lighting in retail shops, public facilities, office buildings and homes. The **GLOBAL trac** system family continues the well-established NOKIA track system tradition. Other members of the family are **GLOBAL pro** and **GLOBAL control** and the following UL-listed lighting track systems for North America: **GLOBAL eco**, **GLOBAL tek** and **GLOBAL Htek**.

Using **GLOBAL base** simplifies the task when placing the electrical outlet points in your lighting system. You can adjust the lighting according to your requirements and change the mounting to match rearranged premises. The streamlined system is also well suited for home interiors.

The **GLOBAL base** technical solutions are similar to those in the **GLOBAL pro** system.

**GLOBAL trac**<sup>®</sup> is a registered trademark of Nordic Aluminium Plc.

All our packing material is recyclable for proper environmental management.

GLOBAL <sup>trac</sup> base

# Trac



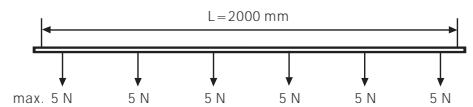
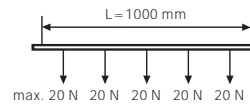




## 1-circuit lighting tracks

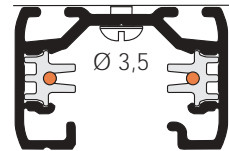
(L<sub>1</sub>+neutral+earth) 16 A/250 V IP 20

- The tracks are pre-punched with fastening holes (see the table below).
- Tracks can be cut at the installation site.
- We can also custom produce specific lengths and bends.
- The recommended fastening distance is L = 1000 mm.



### Surface mounted tracks

	Length in mm
GB 2100	1000
GB 2200	2000
GB 2300	3000
GB 2400	4000



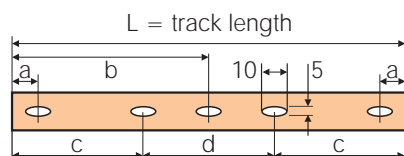
### Recessed tracks

	Length in mm
GBF 2100	1000
GBF 2200	2000
GBF 2300	3000
GBF 2400	4000

### Available colours:

- 1 natural anodised aluminium
- 2 black, RAL 9005
- 3 white, RAL 9010

L mm	a mm	b mm	c mm	d mm
1000	250			
2000	250	1000		
3000	250		1000	1000
4000	250		1500	1000



# Accessories



# Accessories and adapters

**GLOBAL base** lighting tracks are designed for easy surface mounting on ceilings and walls, or recessed mounting in suspended ceilings.

The tracks can be mounted at right angles, and with the adjustable corner connector, at different angles or levels, depending on the structural requirements. Besides flexibility, easy and quick mounting are some of the fundamental principles in the design of the system.

Also I, L, T and X-connectors are designed for power supply. The accessories are designed in modular dimensions, allowing installation in exact squares and rectangles. The covers open wide for mounting, and the supply cable is easy to connect. The smartly designed finish highlights the installation.

The GB 66 adapter is slim and well recessed into the track. Cable wires are pressed into the slot connectors -no screws are needed. The GB 67 adapter is intended for heavier use and also for feeding 1-phase devices.

The transformer adapter GBT 67 is the natural solution for low voltage applications.

Lighting fixtures from different sources are easy to connect to the adapters with a selection of nipples.



## Accessories

### Feeds

GB 11	End feed
GB 12	End feed, mirror image
GB 14	Middle feed

### Connectors

GB 21	Straight connector*
GB 24	Adjustable corner connector 0°-360°
GB 34	L-connector
GB 35	L-connector
GB 36	T-connector
GB 37	T-connector
GB 39	T-connector
GB 40	T-connector
GB 38	X-connector
GB 41	End cap

\* Cannot be used as feed

### Available colours:

- 2 black, RAL 9005
- 3 white, RAL 9010



GB 24

## Other components

### Hook base

GBA 14 (colour: 2, 3)  
 $F_{max}$  100N

### Hook

XTAK 11 (1)  
 $F_{max}$  50N

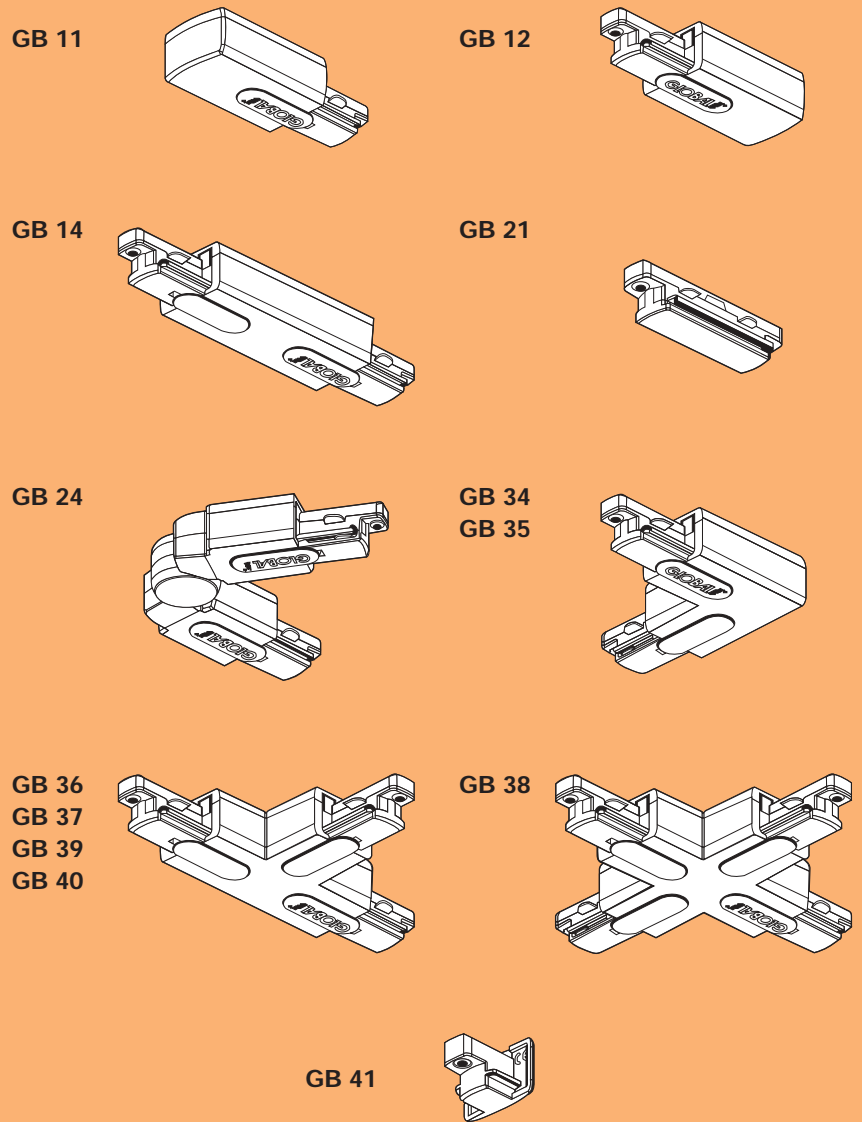
## For recessed tracks

### Coverplates for end feeds

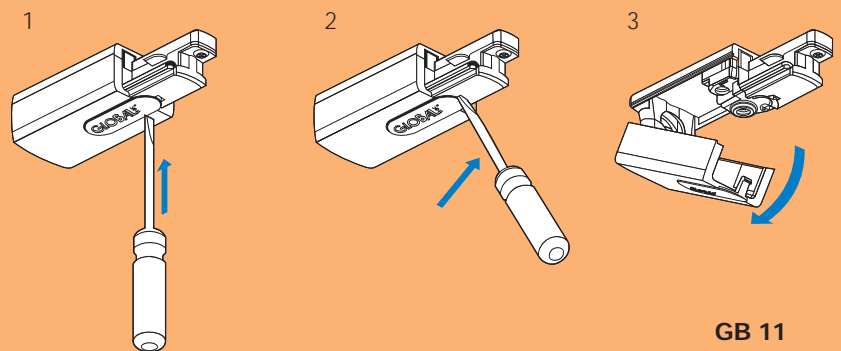
GBF 10 (2, 3)

### Coverplates for I-, L-, T- and X connectors

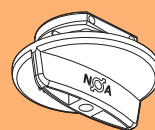
GBF 30 (2, 3)



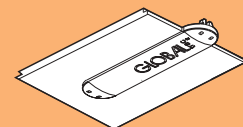
Opening the accessory cover with snap-in technique is easy.



## Other components



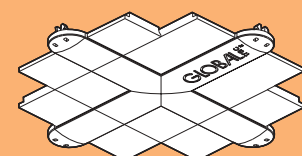
GBA 14



GBF 10



XTAK 11



GBF 30

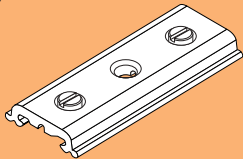


## Mounting accessories

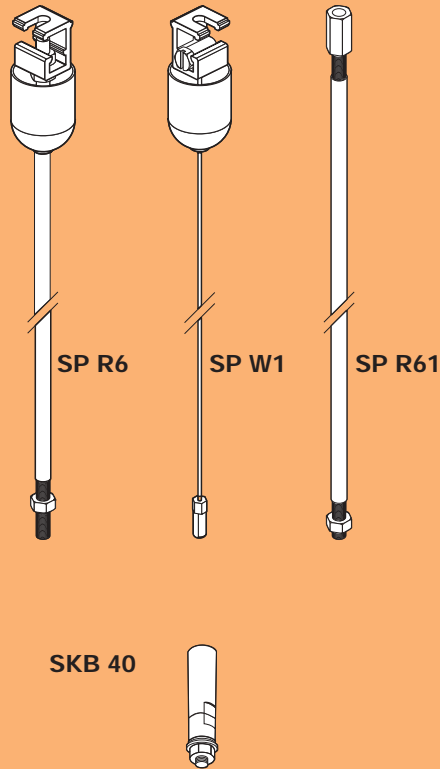
GBS 33



GBS 18

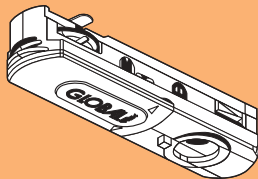


Support for straight connector (GB 21) in suspended installations



## Adapter

GB 66



## Nipples

GA 57/10-2  
GA 57/10-3



GA 57/10-9



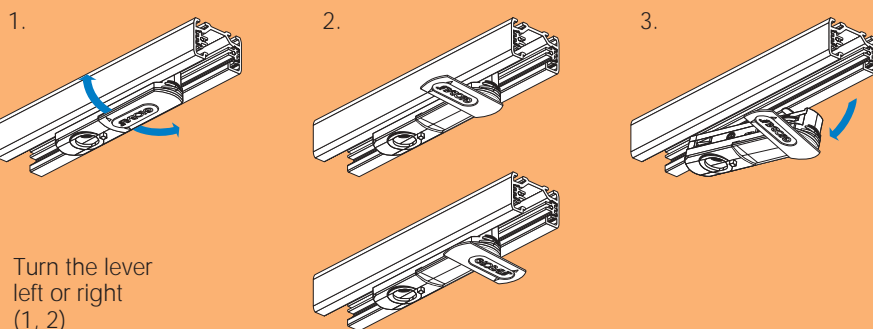
## Strain relief

XTSA 510-2  
XTSA 510-3



## Removing the adapter

GB 66



Turn the lever left or right (1, 2)

## Mounting accessories

GBS 33	Suspension clamp M6, $F_{max}$ 200N (colour: 9)
GBS 18	Support M6, $F_{max}$ 200N (9)
SP R6	Rod suspension set M6, length 1000 mm $F_{max}$ 200N (2, 3)
SP W1	Wire suspension set terminal M6, length 1500 mm $F_{max}$ 150N (2, 3)
SP R61	Rod extension set M6, length 1000 mm $F_{max}$ 200N (2, 3)
SKB 40	Height adjusting sleeve M6, $F_{max}$ 200N (1)

## Adapter

GB 66

### Adapter features

Rated values 6A, 250V  
Protection class I  
Pull strength 50N  
Torque max 2.5Nm  
Slot connection for stranded wires 0.5...1.0 mm<sup>2</sup>

### Available colours:

- 2 black, RAL 9005  
- 3 white, RAL 9010

## Nipples

### For adapter GB 66

GA 57/10-2 (plastic)  
GA 57/10-3 (plastic)  
GA 57/10-9 (aluminium)  
Rotating M 10x1  
Thread length 10 mm

### Strain relief

XTSA 510-2 (plastic)  
XTSA 510-3 (plastic)  
Inner thread M 10x1

### Colours

- 2 black, RAL 9005  
- 3 white, RAL 9010  
- 9 bright  
- 1 grey  
• natural anodised aluminium (clamps and tracks)  
• zink coated steel

## Adapter

### GB 67

#### Adapter features

Rated values 16A, 250V

Protection class I

Pull strength 100N

Torque max 2.5Nm

Screw terminals for conductor max 2,5 mm<sup>2</sup>

Cable grip CG 69 option

### GB 66 and GB 67 use

Intended for the connection of spots to the **GLOBAL base** 1-circuit track.

The adapters are also compatible with Concord Lytespan 1 and Lytespan LP tracks.

GB 67 also for feeding 1-phase devices.

### GBT 67

#### Adapter features

Pull strength 100N

Bending moment 2,5Nm

Protection class II

Nominal values:

- 75W

- prim 230V, 0.33A, 50/60Hz  
(UK prim 240V, 0.31A, 50/60Hz)

- sec 12V, 6.25A

- dimmable

- thermal and short circuit protection  
with auto-reset

#### Use

Intended for connection of 12V low voltage halogen spots to the GLOBAL base 1-circuit tracks. The GBT 67 trafo-adapter is also compatible with Concord Lytespan 1 and Lytespan LP tracks.

#### Available colours:

- 1 grey, RAL 7040

- 2 black, RAL 9005

- 3 white, RAL 9010

## Nipples

### For adapter GB 67 and GBT 67 aluminium nipples

XTSA 55/12-9 Thread length 12 mm

XTSA 57/8-9 Thread length 8 mm

XTSA 57/12-9 Thread length 12 mm

XTS 56/8-9 Thread length 8 mm

XTS 58/8-9 Thread length 8 mm

M10 nipples inner Ø 9 mm max.

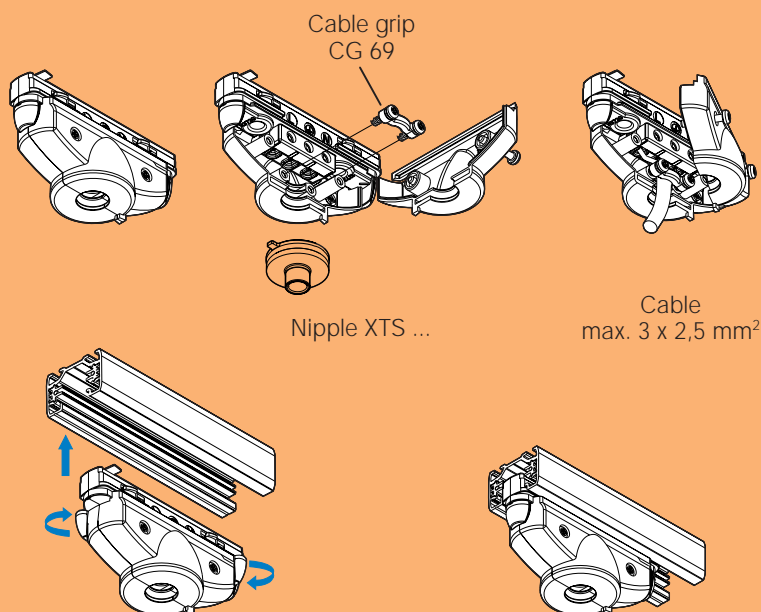
M13 nipples inner Ø 7,4 mm max.

#### Colour:

- 9 bright

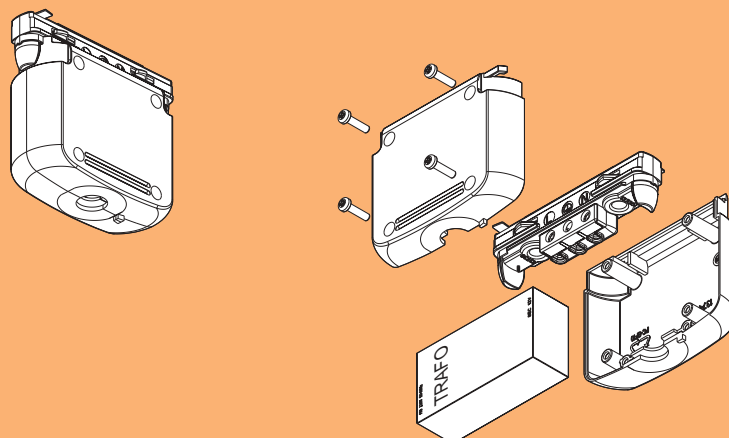
### Adapter

### GB 67



### Adapter

### GBT 67



### GB 67 and GBT 67 nipples

#### XTSA

#### XTS



**55/12**  
M 13 x 1  
rotating



**57/8**  
M 10 x 1  
rotating



**57/12**  
M 10 x 1  
rotating

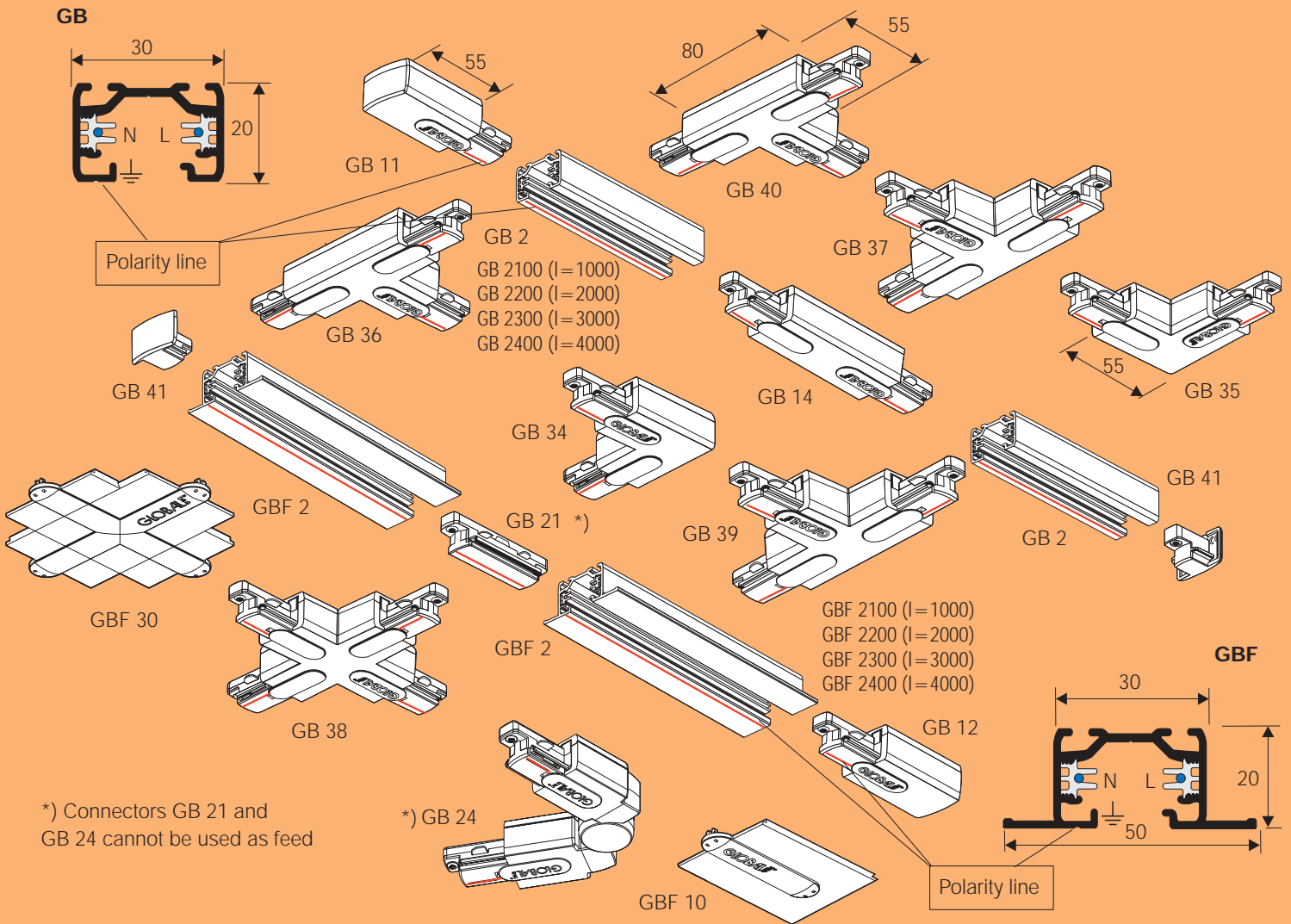


**56/8**  
M 13 x 1  
fixed



**58/8**  
M 10 x 1  
fixed

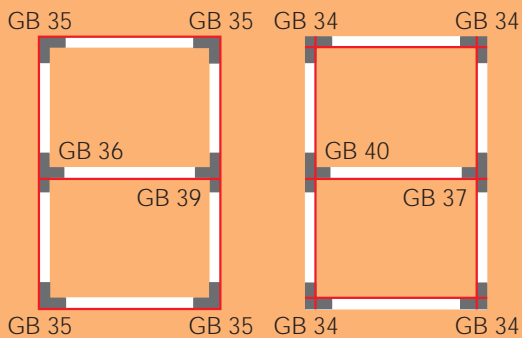
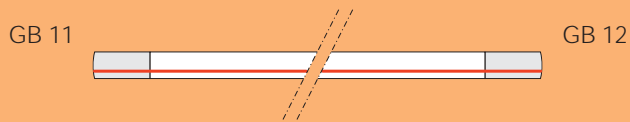
# GLOBAL PRO base 1-CIRCUIT LIGHTING TRACK SYSTEM



\*) Connectors GB 21 and GB 24 cannot be used as feed

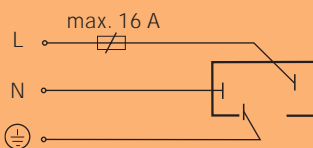
## Use of L- and T-accessories

Red line indicates ground



## Connection

230 V, 16 A, 3.7 kW





**NORDIC  ALUMINIUM**



**NORDIC ALUMINIUM PLC**

P.O.BOX 117, FIN-02401 Kirkkonummi, FINLAND

Tel. + 358-9-68 251, fax + 358-9-298 2154

[www.nordicaluminium.fi](http://www.nordicaluminium.fi)

